

Robe BMFL 1700W Lamp Life Confirmed

Posted on February 23, 2015



Robe Lighting's RnD department has finished an extensive and comprehensive piece of research and testing in conjunction with lamp manufacturers Osram, relating to the longevity of the Lok-it!® HTI® 1700/PS lightsource used in Robe's new signature BMFL™ fixture, when run consistently in its brightest 1700 W mode.

This confirms that the lamp life expectancy is **exactly the same** when the fixture is run in 1700W mode as in 1200W and 1500W modes.

Therefore, Robe can categorically announce that the BMFL lamp life time is the same in all three modes - 750 hours.

Robe BMFL 1700W Lamp Life Confirmed

The project also examined the lumen maintenance of the source at 750 hours when run in 1700W mode and reports that lumen output was measured at 60% compared to that of a new lamp - representing a 40% drop over the full lifespan.

This means that the lamp is extremely efficient and robust, and maintains brightness throughout its active life.

If you compare this lamp with others, it offers higher brightness after 750 hours - an important benefit for rental companies as the maintenance costs can be reduced.

These impressive figures mean that anyone investing in Robe's BMFL technology and running their fixtures in 1700W mode to achieve the phenomenal BLFL brightness that everyone is talking about ... can expect the same economy as when running the lamp in either of its other power options.

Thanks to two years of extensive RnD work by Robe, a special driving and heat management system has been devised for the lamp resulting in a proprietary solution to maintain the same colour temperature in all three power modes, as well as when dimmed from 100 - 20%. This technology has been patented by Robe.

Robe's BMFL was launched in September 2014 and is currently the brightest and most versatile moving light available in its class. It produces 40,000 Lumens which represents an impressive 250 000 lux at 5 metres - with a CRI of 92 - and for all the immense power, quality of light and dynamic feature set ... weighs just 36 Kgs!

The BMFL Spot is enjoying huge success worldwide and is being used on many of the highest profile shows and events.

Robe will soon launch the second product in the BMFL range, the BMFL Blade, a framing shutter luminaire using the same Osram Lok-it!® HTI® 1700/PS lightsource.

Technical Information
 No. 5908
 Edition: 01/15 - subject to change
 Supersedes: 03/12
 Status: valid

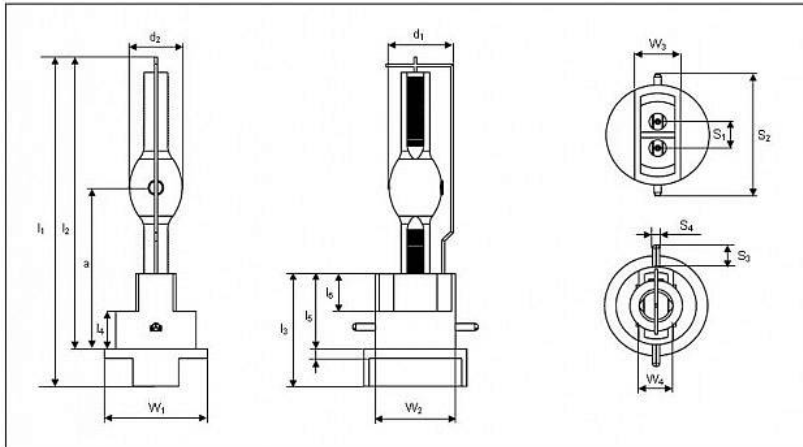


plug'n'play Metal Halide Lamp

Lok-it!® HTI® 1700/PS

■ **Product description**

The OSRAM Lok-it!® HTI® 1700/PS is a highly efficient, single-ended short-arc metal halide lamp with 6000 Kelvin colour temperature. The new Lok-it!® plug'n'play system allows a quick one-touch lamp replacement. A respectively designed lamp holder – type PGJX28 – is available, too. It is very compact and hence allows cold start of the lamp only. Featuring OSRAM's XS-Technology, the lamp stands pinch temperatures up to 500°C.



■ **Technical data lamp**

Order reference	Lok-it!® HTI® 1700/PS	Bulb diameter d_2	mm	22
Ignition voltage (cold/hot; Mhz igniter)	kVs 5 / 10 (max.)	Bulb diameter d_1 (incl. current bar)	mm	26
Rated lamp wattage	W 1700	Base height part l_4	mm	13
Rated lamp voltage	V 65	Base height part l_5	mm	27
Rated lamp current (-)	A 20	Base height part l_6	mm	13
Luminous flux	lm 140.000	Base plate diameter w_1	mm	36
Luminous efficacy	lm/W 82	Base neck width w_2	mm	28
Color temperature	K 6.000	Base handle width w_3	mm	16,3
Color rendering index	Ra 90	Base neck width w_4	mm	12
Average service life	h 750	Base pin inner distance s_1	mm	19
Light arc length	mm 5,5	Base pin outer distance s_2	mm	43,5
Lamp length (overall) l_1	mm 125	Base pin length s_3	mm	8
Lamp length l_2	mm 105	Base pin width s_4	mm	2,5
LCL a	mm 60	Base (pre-focus/bayonet)	PGJ28 Lok-it!®	
Base height (overall) l_3	mm 40			



Robe BMFL 1700W Lamp Life Confirmed

Technical Information

No. 5908
Edition: 01/15 - subject to change
Supersedes: 03/12
Status: valid



plug'n'play Metal Halide Lamp

Lok-it![®] **HTI**[®] **1700/PS**

■ **Lamp operation**

Maximum pinch seal temperature allowed	°C	500 / with eXtreme Seal Technology (measured at welding point)
Cooling		forced cooling / fan required
Burning position		any

The Lok-it![®]HTI[®] 1700/PS is designed to be operated on electronic power supplies (ECG) only.



Robe BMFL 1700W Lamp Life Confirmed